

PRODUCT INFORMATION PACKET

Model No: 5KCR49ZN0785S
Catalog No: C1909
1 1/2, 1725, TENV, 56, 1/60/115/208-230
Single Phase



Regal and Marathon are trademarks of Regal Beloit Corporation or one of its affiliated companies.
©2018 Regal Beloit Corporation, All Rights Reserved. MC017097E



Nameplate Specifications

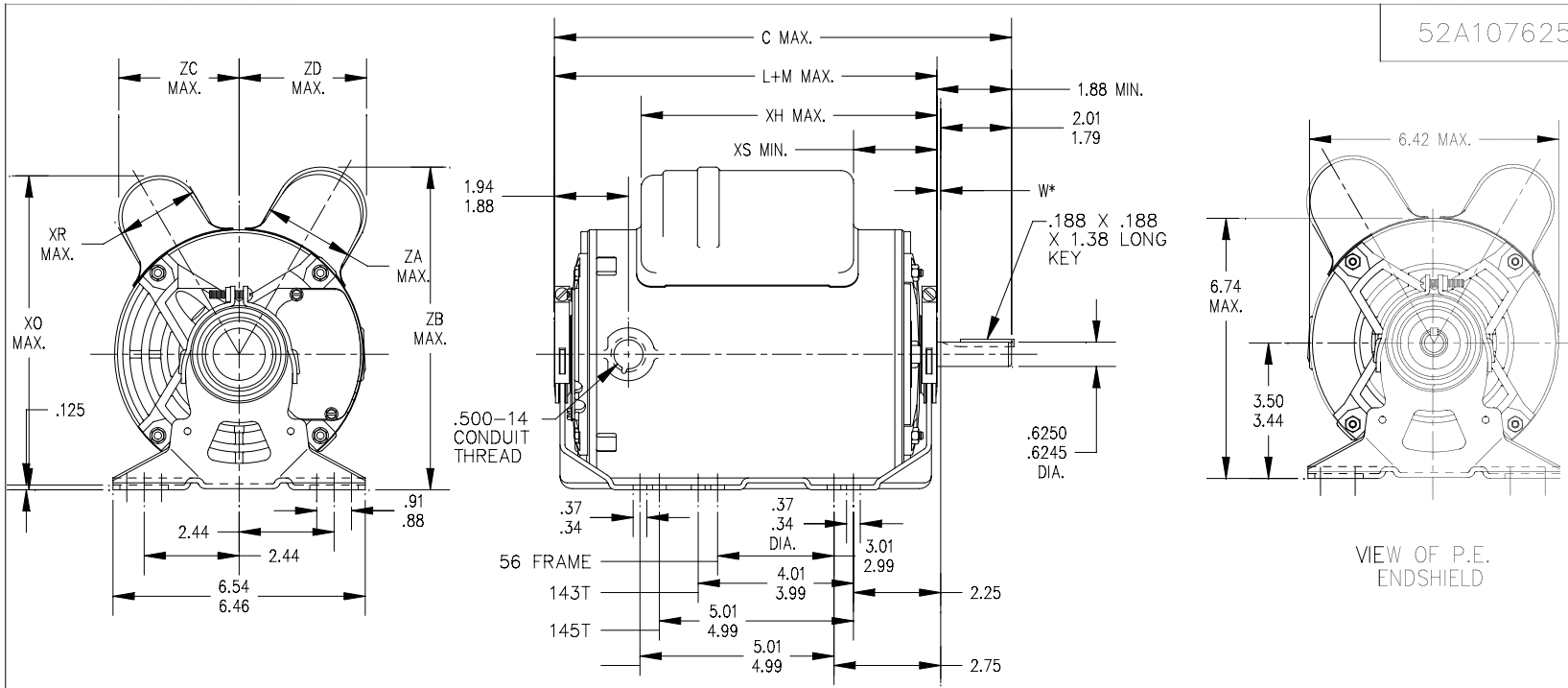
Output HP	1.50 Hp	Output KW	1.1 kW
Frequency	60 Hz	Voltage	115/208-230 V
Current	14.0,7.2-7.0 A	Speed	1725 rpm
Service Factor	1.3	Phase	1
Efficiency	78.5 %	Duty	Continous
Insulation Class	B	KVA Code	K
Frame	56	Enclosure	Totally Enclosed Non Ventilated
Overload Protector	AUTO	Ambient Temperature	40 °C
Drive End Bearing Size	6203	Opp Drive End Bearing Size	6203
UL	Recognized	CSA	Yes
CE	N		

Technical Specifications

Electrical Type	Capacitor Start Capacitor Run(CSCR)	Starting Method	SM
Poles	4	Rotation	Selective Counterclockwise
Mounting	Resilient Base	Motor Orientation	Any
Drive End Bearing	BALL	Opp Drive End Bearing	BALL
Frame Material	Rolled Steel	Overall Length	13.96 in
Frame Length	9.63 in	Shaft Diameter	0.630 in
Shaft Extension	1.88 in		
Outline Drawing	52A107625P7	Connection Diagram	52A105383AB


This is an uncontrolled document once printed or downloaded and is subject to change without notice. Date Created: 06/29/2018

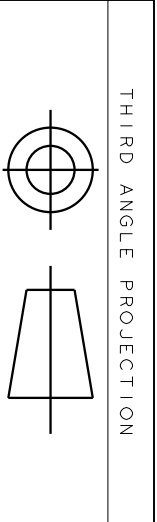
52A107625



W* IS A VARIABLE CLEARANCE DUE TO VARIATIONS IN PARTS AND ASSEMBLY.

7	KCR	49	56H	13.96	11.96	10.15	8.18	2.15	2.01	1.60	7.63	3.20	3.16	9.63
6	KCR	49	56H	13.96	11.96	8.30	8.16	2.10	2.63	2.40	8.39	3.14	3.33	9.63
5	KCR	49	56H	13.96	11.96	9.67	8.16	2.10	4.00	2.40	8.39	3.14	3.33	9.63
4	KCR	48	56H	12.66	10.76	7.76	8.18	2.15	2.01	2.40	8.40	3.20	3.38	8.43
3	KCR	48	56H	12.66	10.76	7.76	8.18	2.15	2.01	2.72	8.77	3.20	3.68	8.43
2	KCR	49	56H	11.91	10.01	7.76	8.18	2.15	2.01	1.60	7.81	3.20	3.07	7.68
1	KCR	49	56H	11.91	10.01	7.76	8.18	2.15	2.01	2.40	8.40	3.20	3.38	7.68
P	TYPE	GE SIZE	NEMA FR	C	L+M	XH	XO	XR	XS	ZA	ZB	ZC	ZD	MIN. SHELL

				TOLERANCES UNLESS SPECIFIED		 REGAL-BELOIT CORPORATION TITLE: OUTLINE DP- RESIL BASE - BALL -40 FR					DRAWN KK 06/18/15		
				DEC.	INCHES						CHK		
				.X	±0.1						APPD KK 06/18/15		
				.XX	±0.02						SCALE 1=1		
9	ADDED PART #7 PER DS05-1253	RJ 11/10/15		.XXX	±0.005	REF XXXXXXXX							
NO.	REVISION	BY & DATE	CHK ANG	.XXXX	±0.0005	FMF							
				RFP	±1.0	PREV							
THIS DRAWING IN DESIGN AND DETAIL IS OUR PROPERTY AND MUST NOT BE USED EXCEPT IN CONNECTION WITH OUR WORK. ALL RIGHTS OF DESIGN AND INVENTION ARE RESERVED. THIS IS AN ELECTRONICALLY GENERATED DOCUMENT - DO NOT SCALE THIS PRINT.				DIST		CAD FILE	52A107625	SIZE	A	DRAWING NO.	52A107625	REV.	



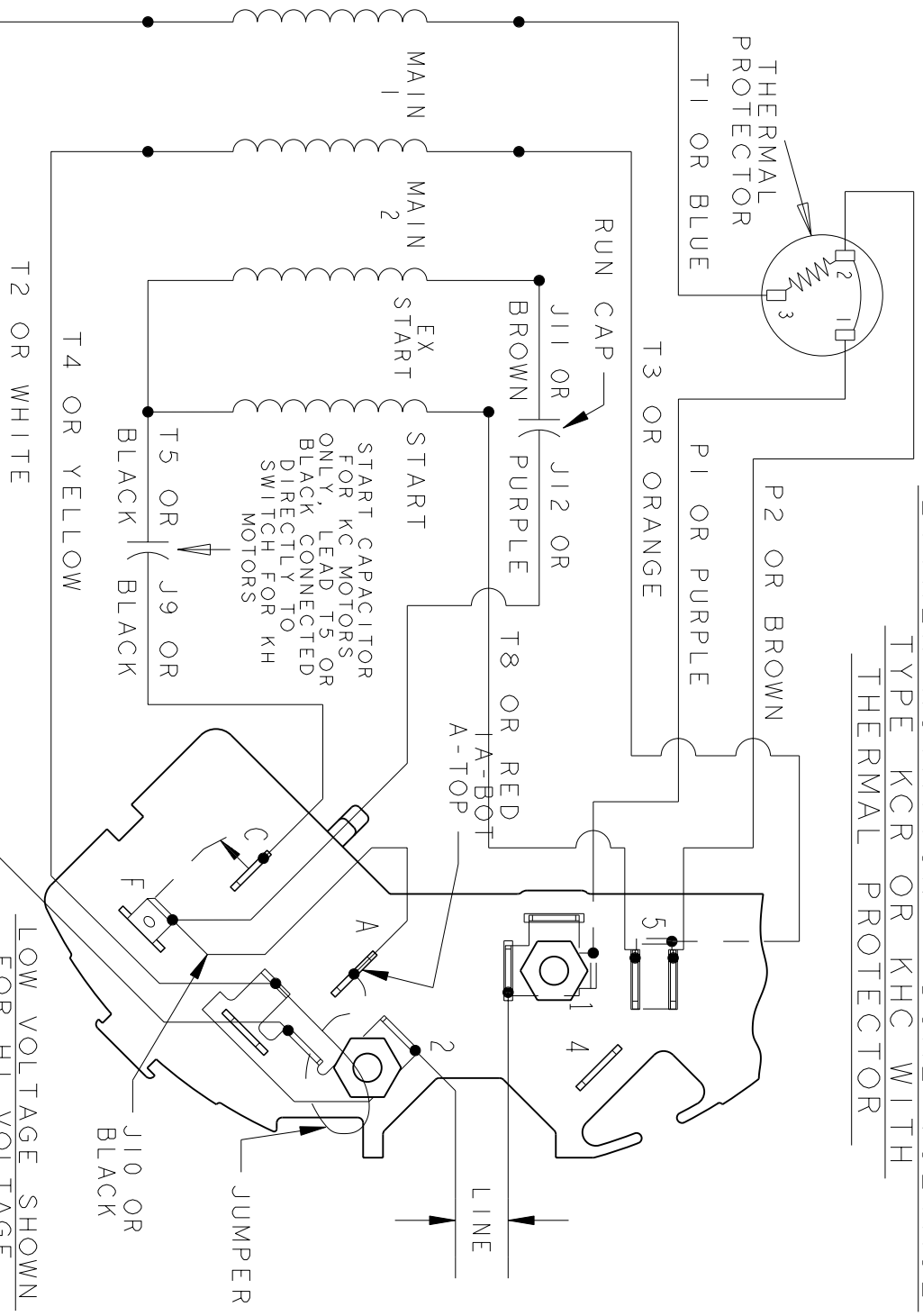
REVISIONS

REV.	DESCRIPTION	DATE	APPROVED
3	UPDATED FORMAT	01/05/06	MAM

EITHER ROTATION - DUAL VOLTAGE
TYPE KCR OR KHC WITH
THERMAL PROTECTOR

52A105383AB

SIZE DRAWING NO.



- NOTE #1 - FOR HI VOLTAGE REMOVE BROWN (P2) FROM TERMINAL #5 AND PLACE ON TERMINAL #4, REMOVE WHITE (T2) FROM TERMINAL #2 AND PLACE ON TERMINAL #5.
- NOTE #2 - TO REVERSE ROTATION INTERCHANGE BLACK (J10) AND RED (T8) LEADS.
- NOTE #3 - WHEN MORE THAN ONE CAPACITOR IS USED CONNECT IN PARALLEL.

REF. DIAG. - 119A9479



REGAL-BELOIT CORPORATION

CONNECTION DIAGRAM

SIGNATURES	DATE
MODEL M.D. PAPE	10/19/87
DETAIL	.
CHECKED	.
ENGRG	.
MFG	.
FOR ADDITIONAL INFO REFER TO:	
APPLIED PRACTICES	QUALITY
DIMENSIONS ARE IN INCHES	ISSUED
MATERIAL	SOLID MODEL: 52A105383AB

30 FRAME SWITCH REDESIGN

SCALE: 1.000 REF. No. .

52A105383AB

REV 3